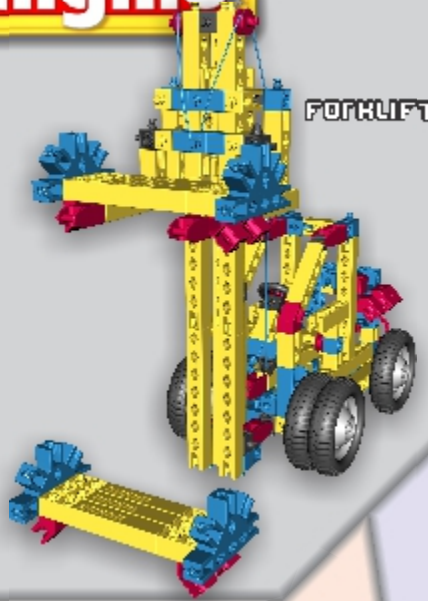
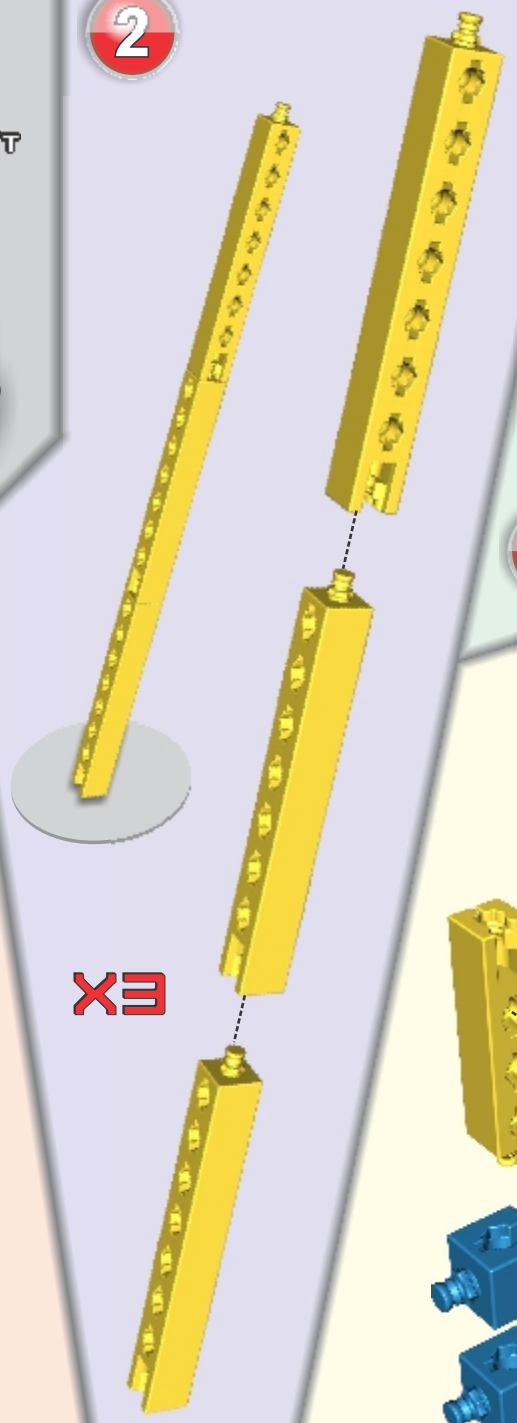


Engino

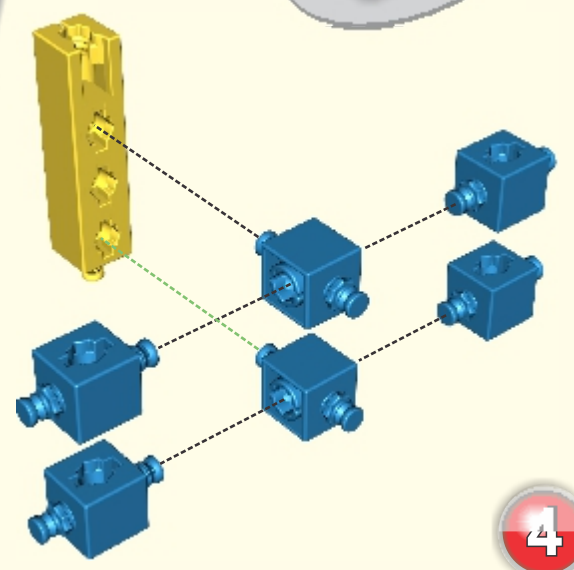
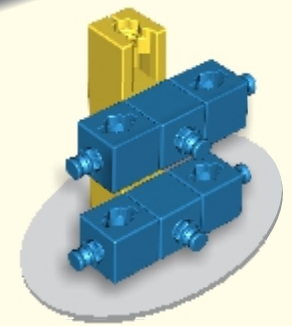
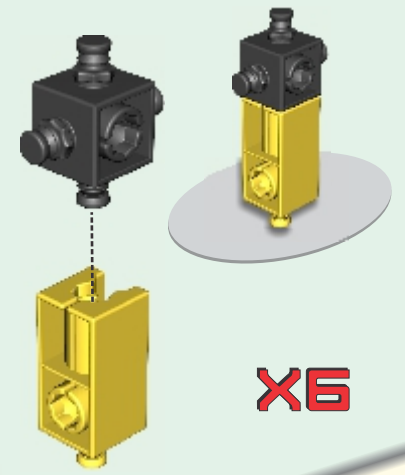
FORKLIFT



2

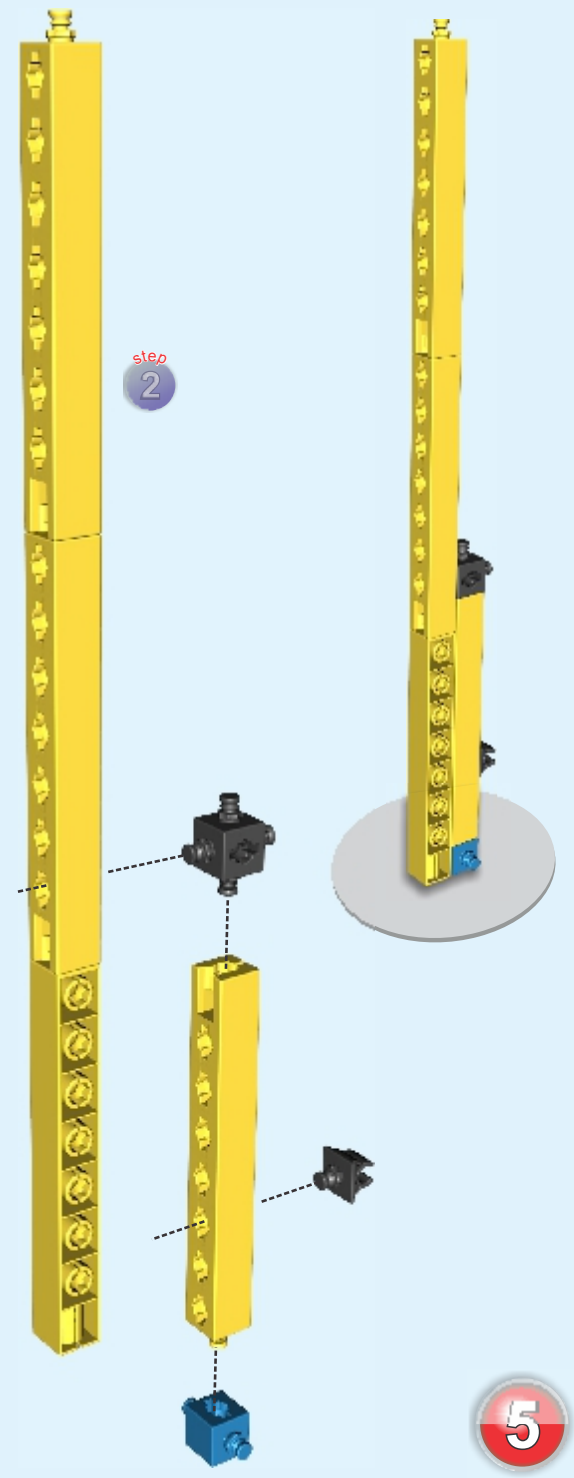


3

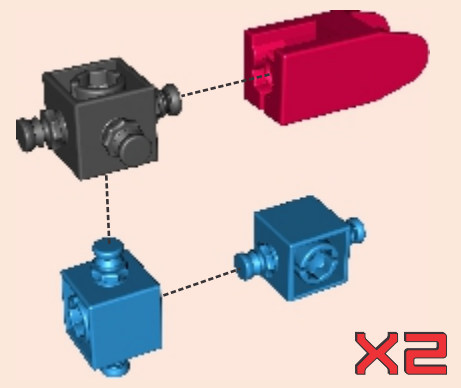
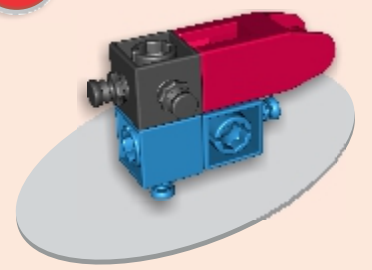


4

step 2

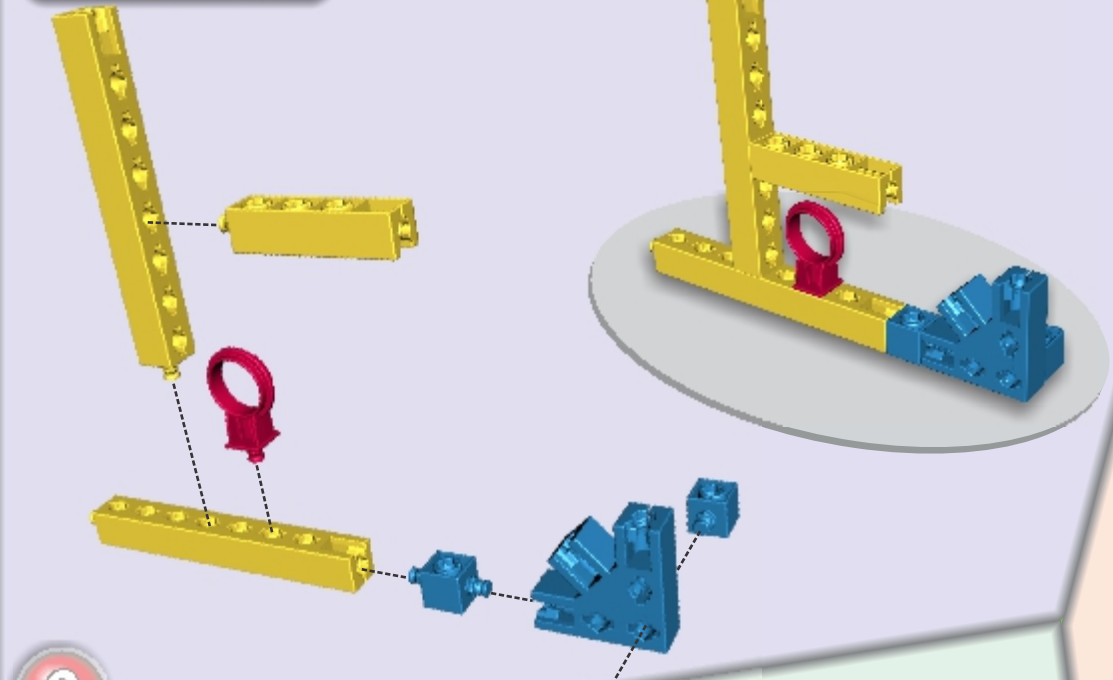


1

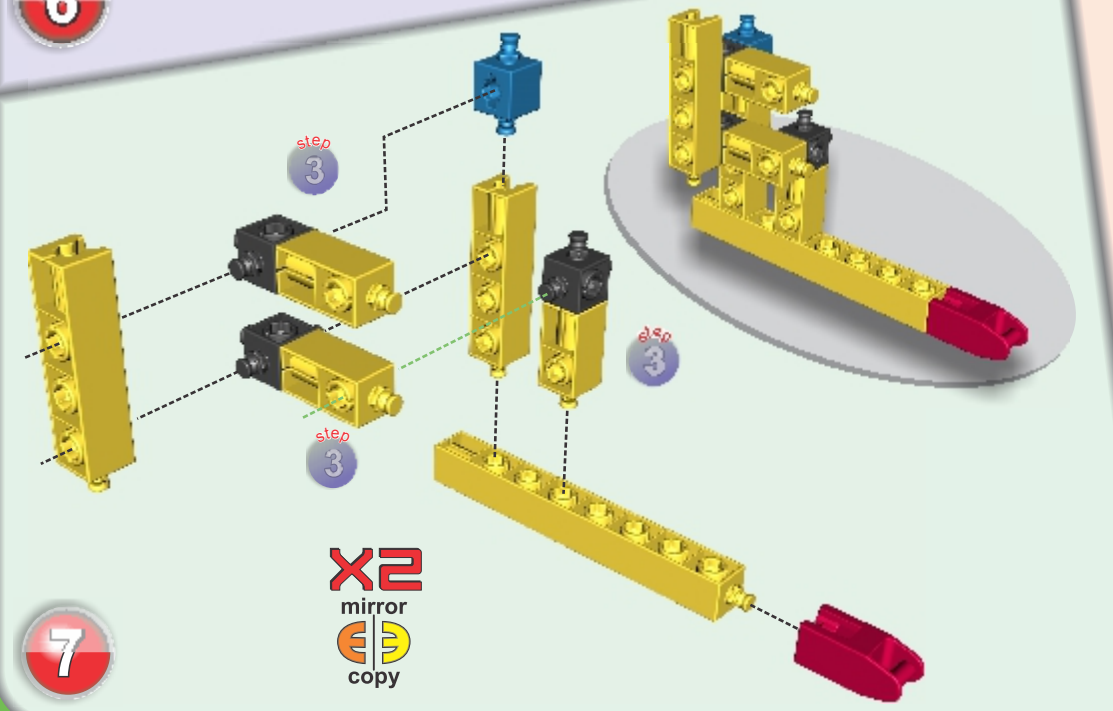


X2

5

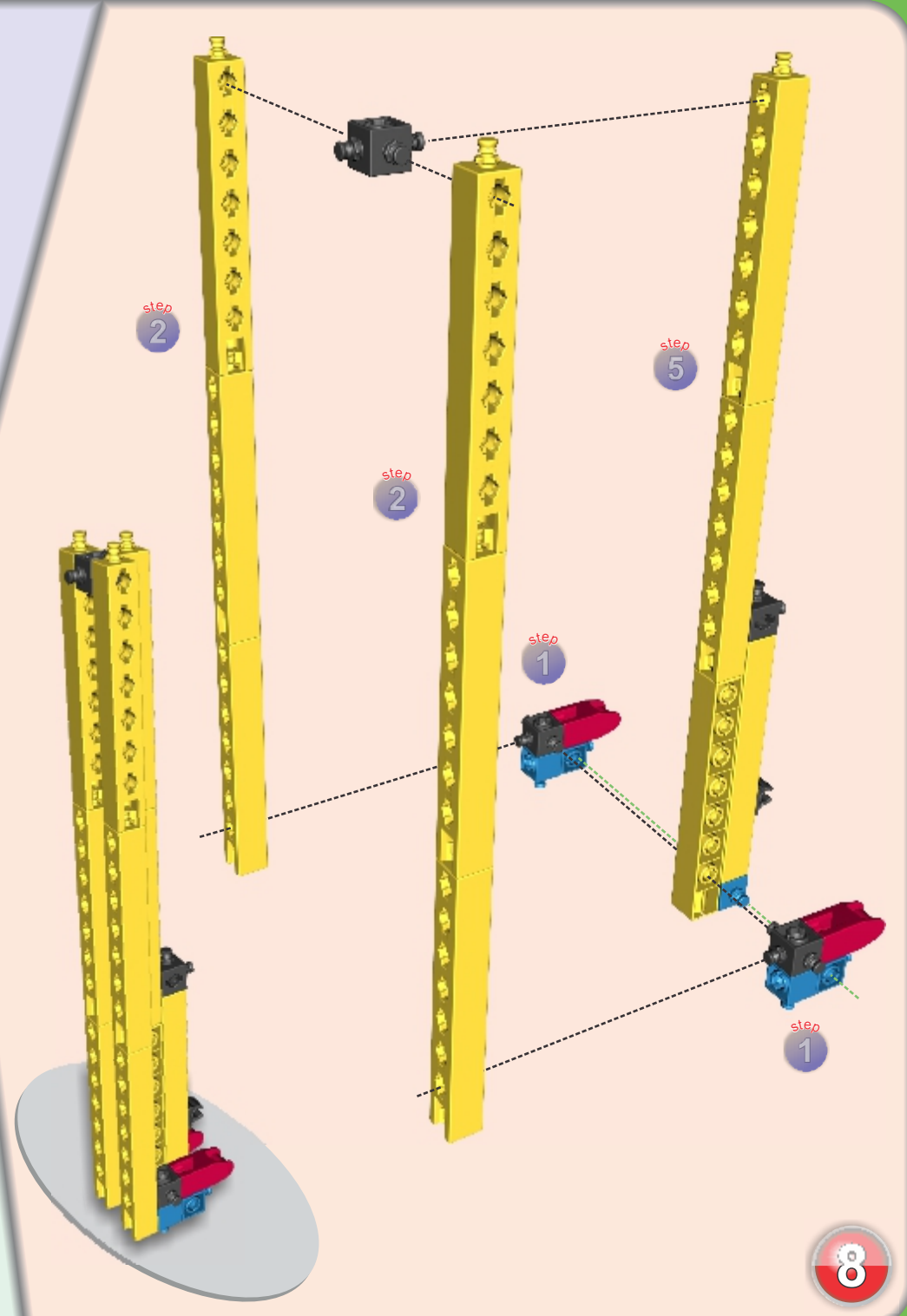


6



7

X2
mirror
copy



8

9

step 8

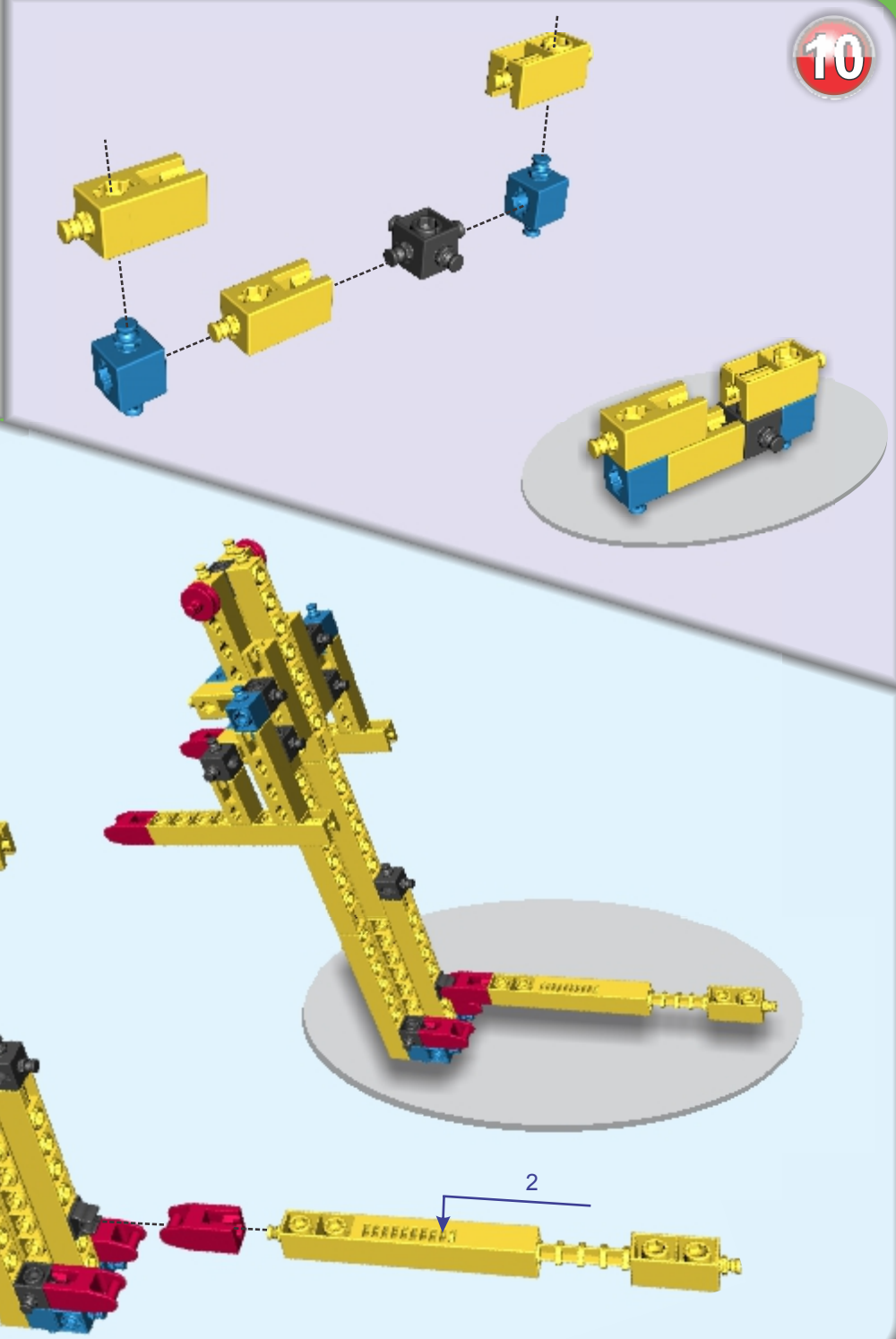
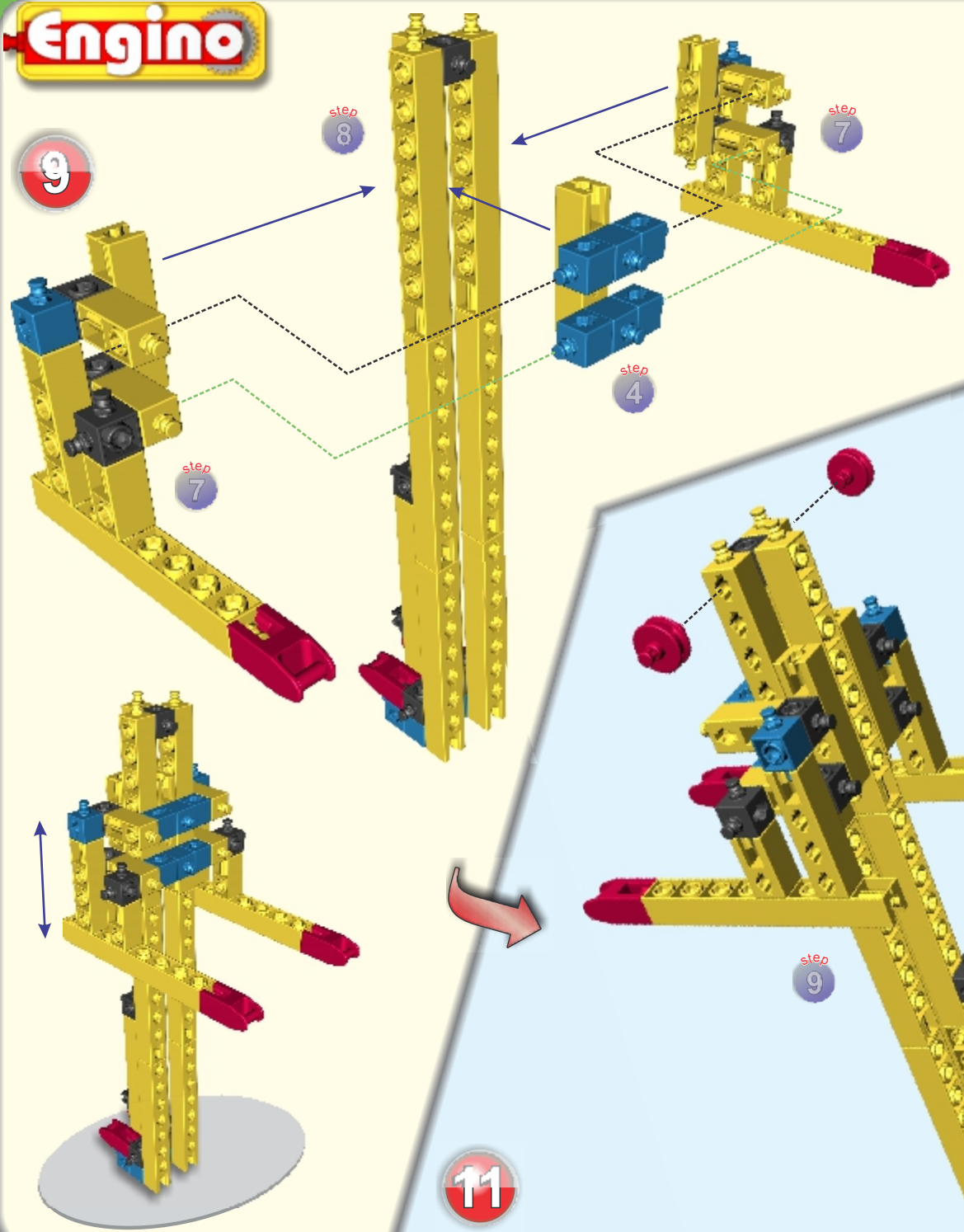
step 7

step 4

step 7

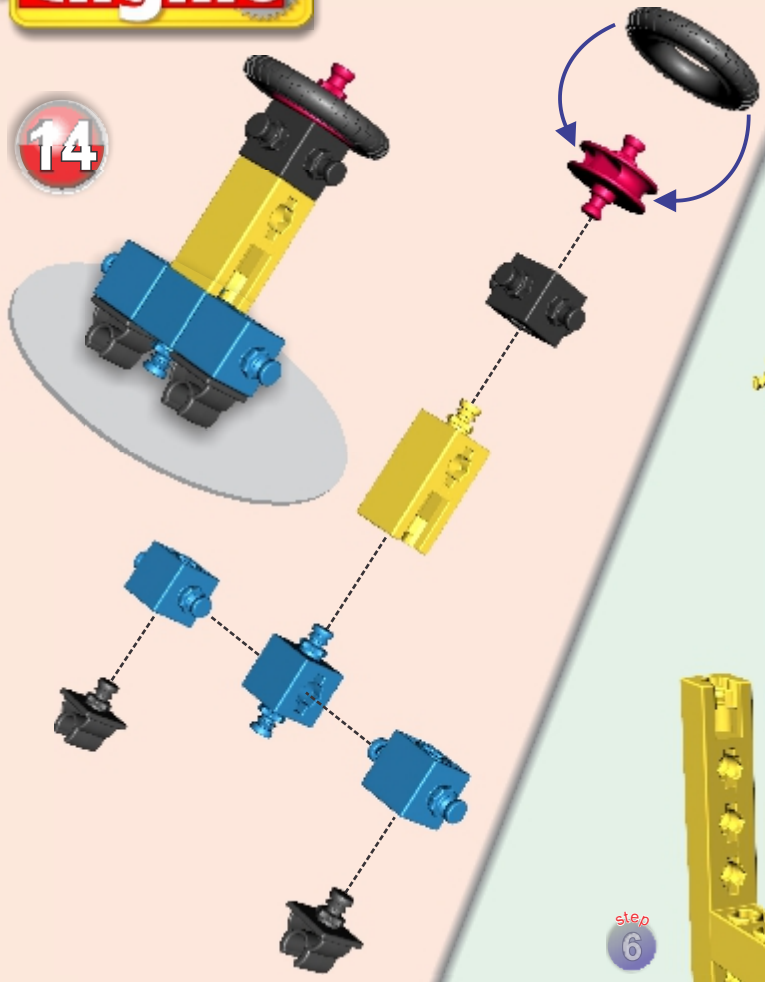
step 9

11

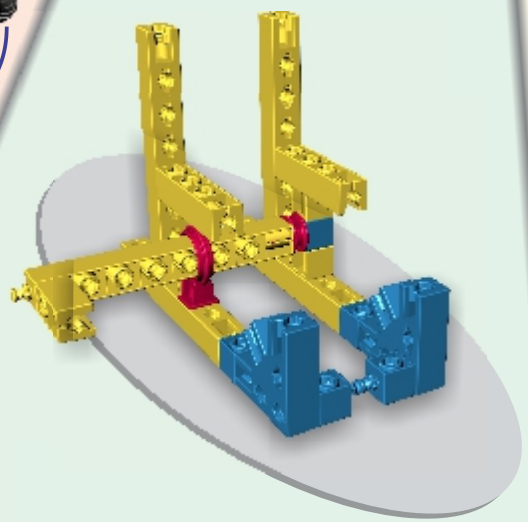


2

14

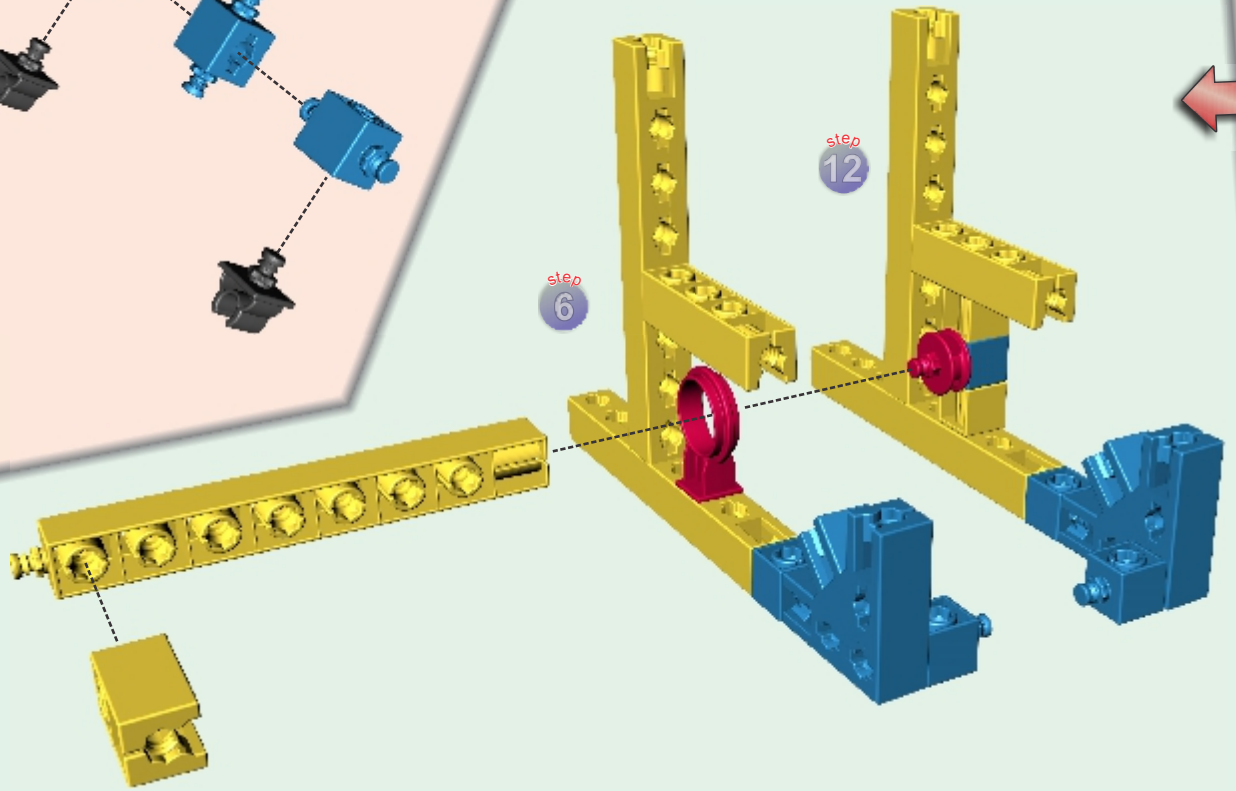


13

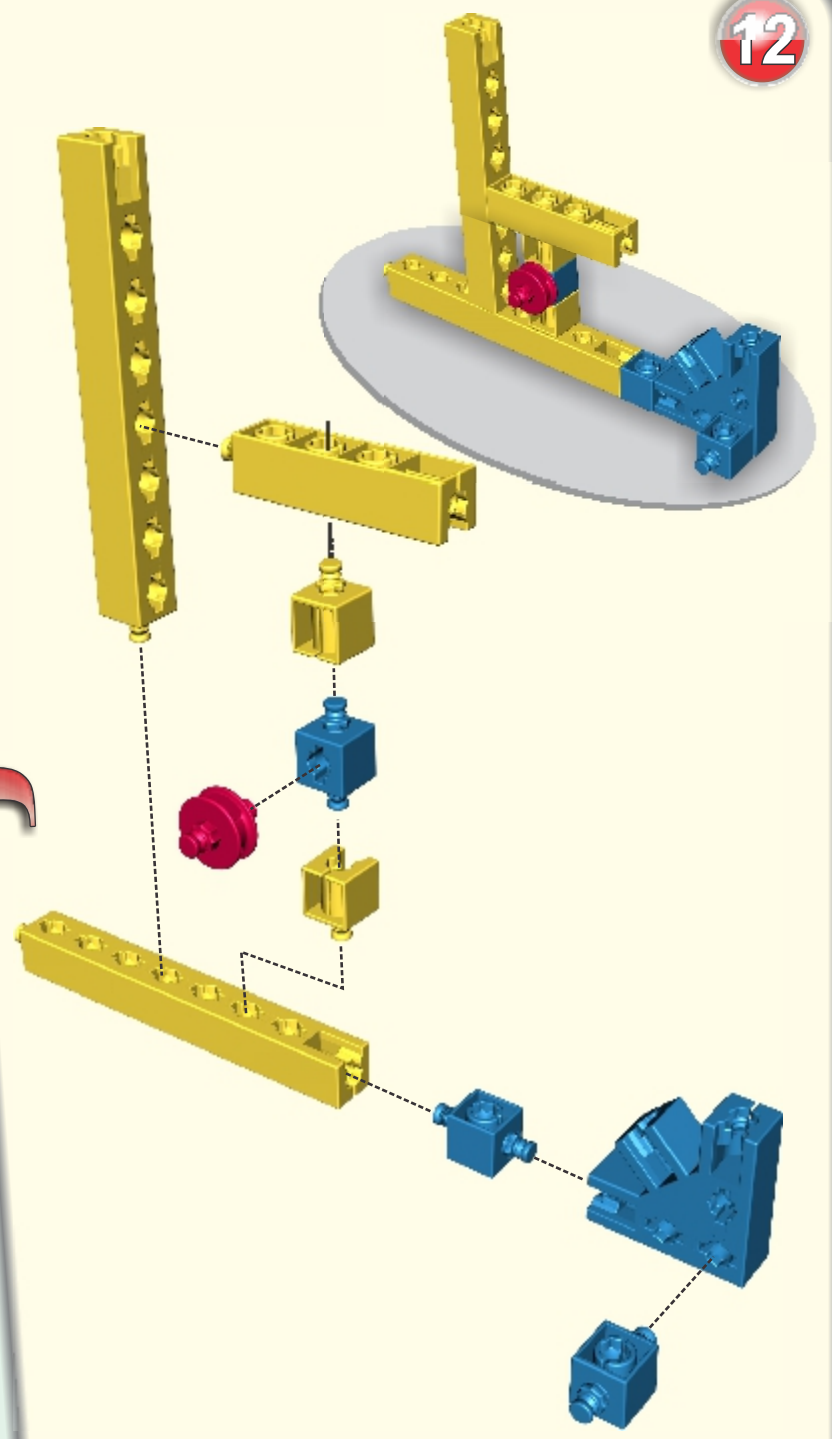


step 12

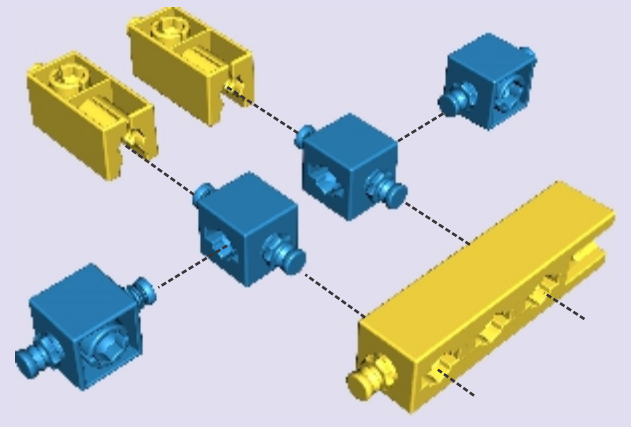
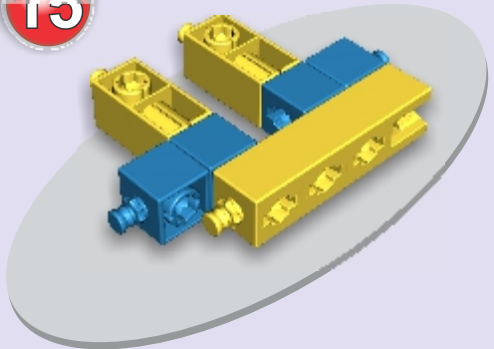
step 6



12



15

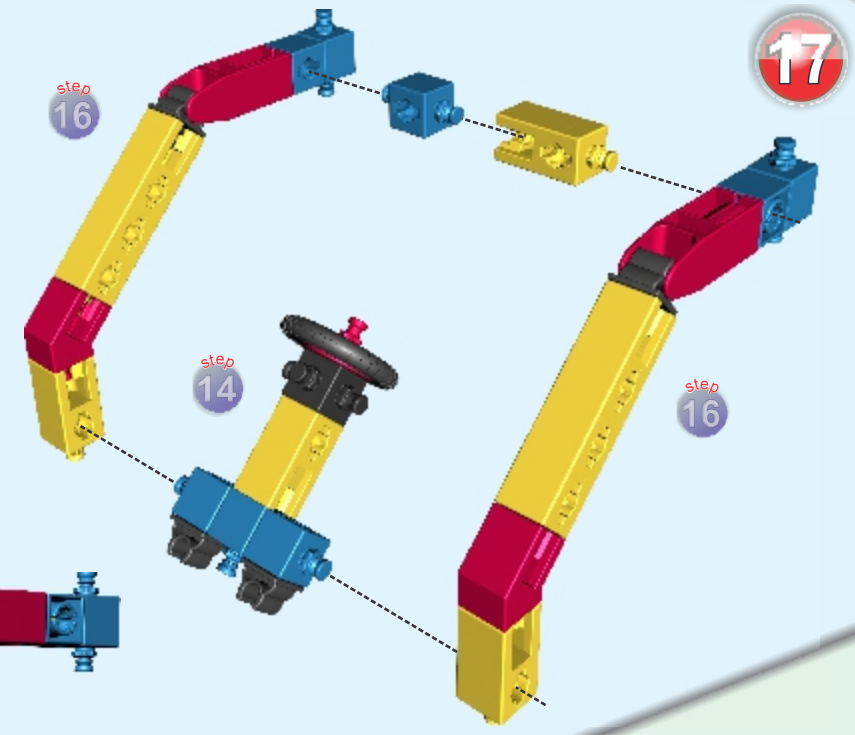


17

step 16

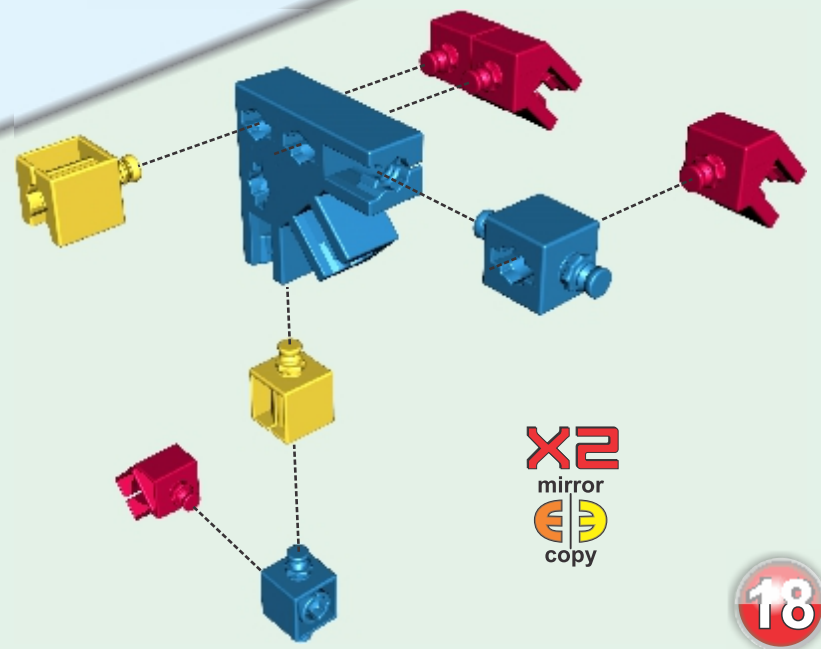
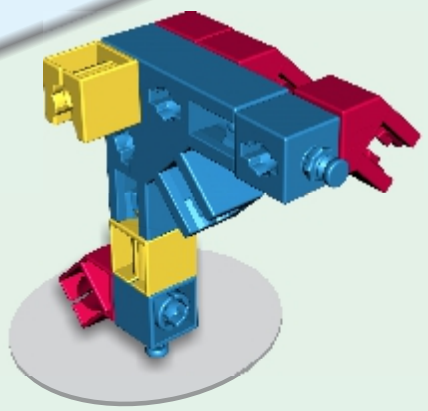
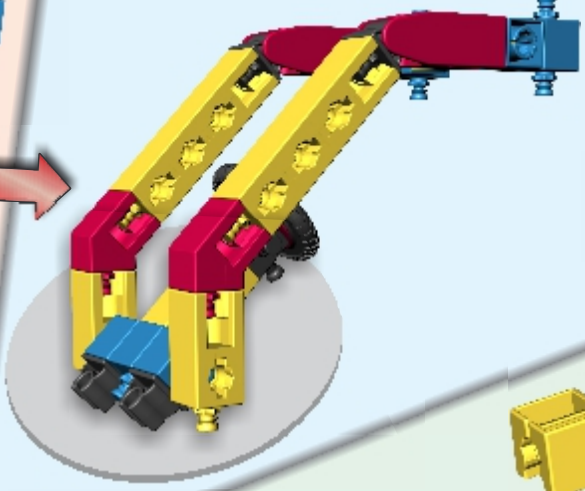
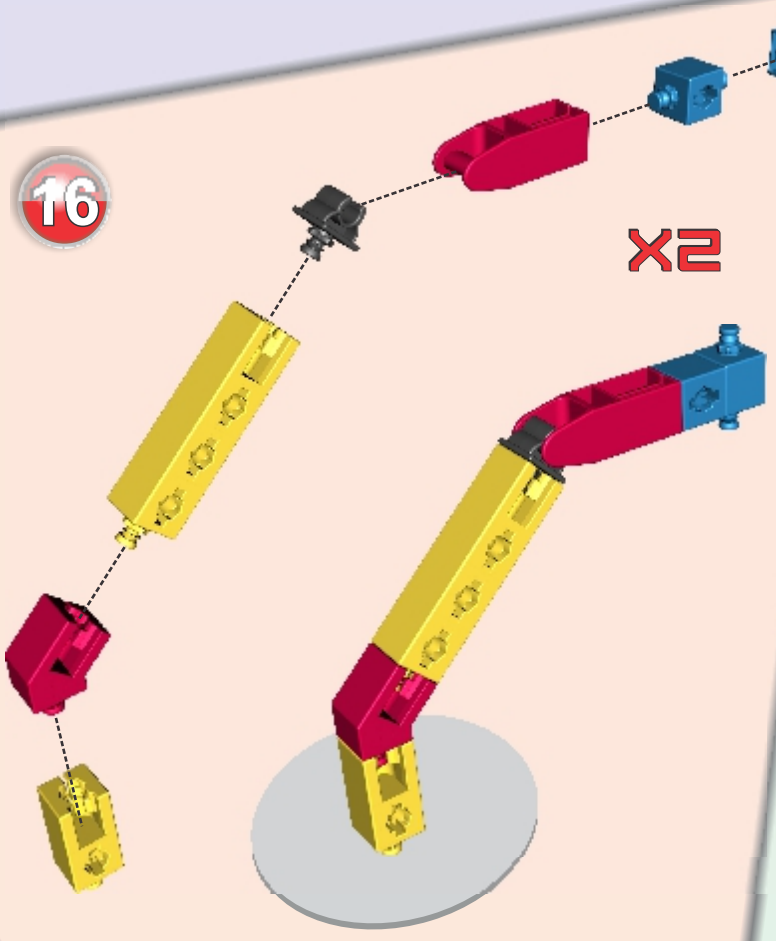
step 14

step 16



16

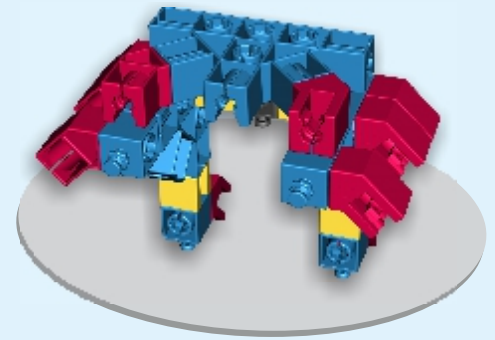
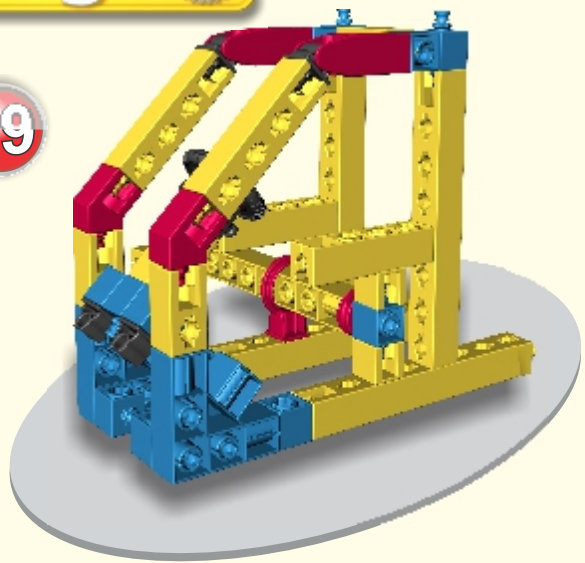
X2



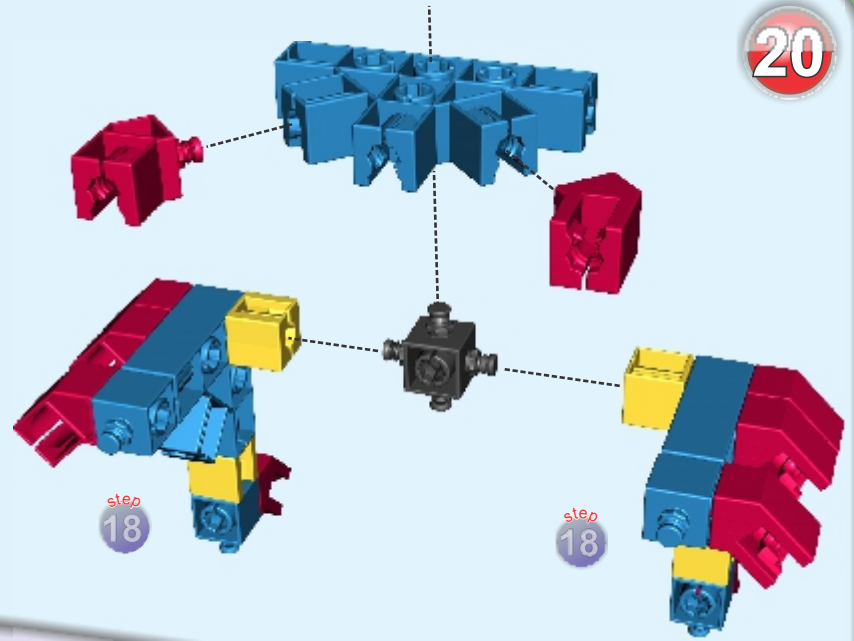
X2
mirror
copy

18

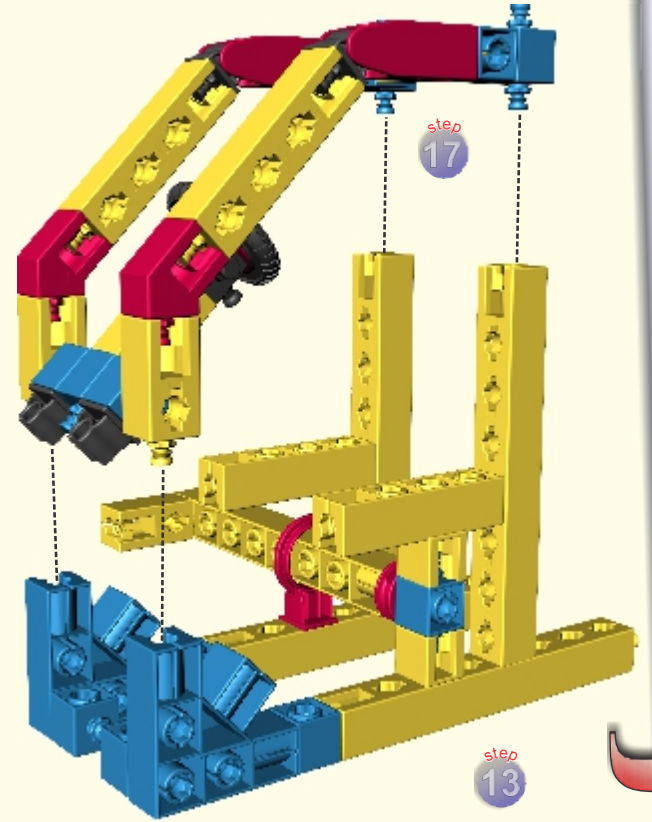
19



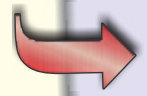
20



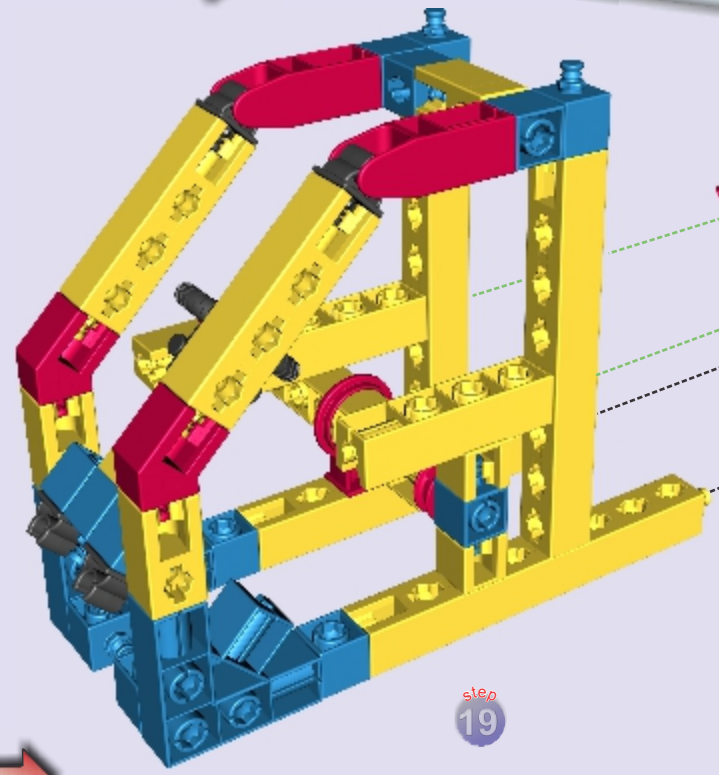
step 17



step 13

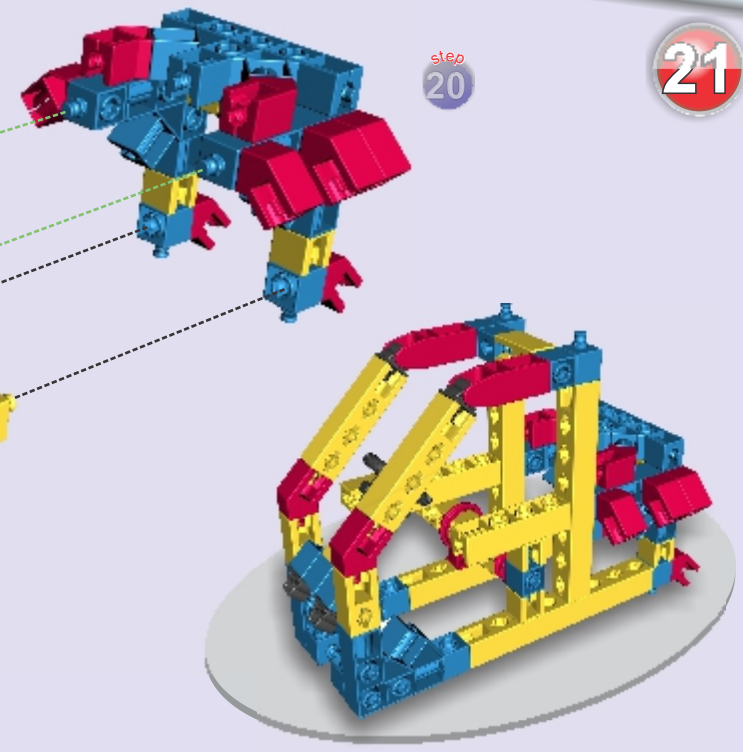


step 19

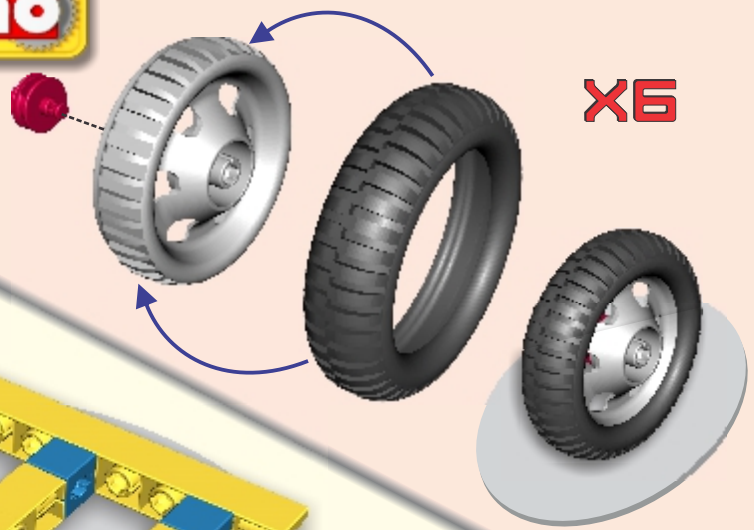


step 20

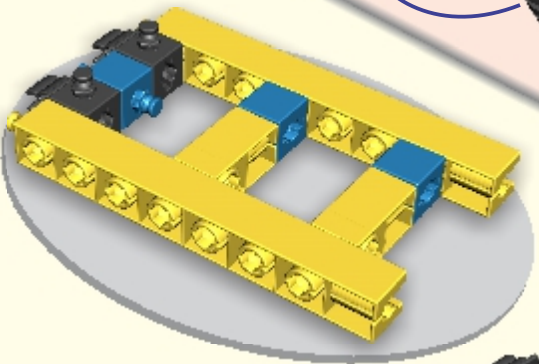
21



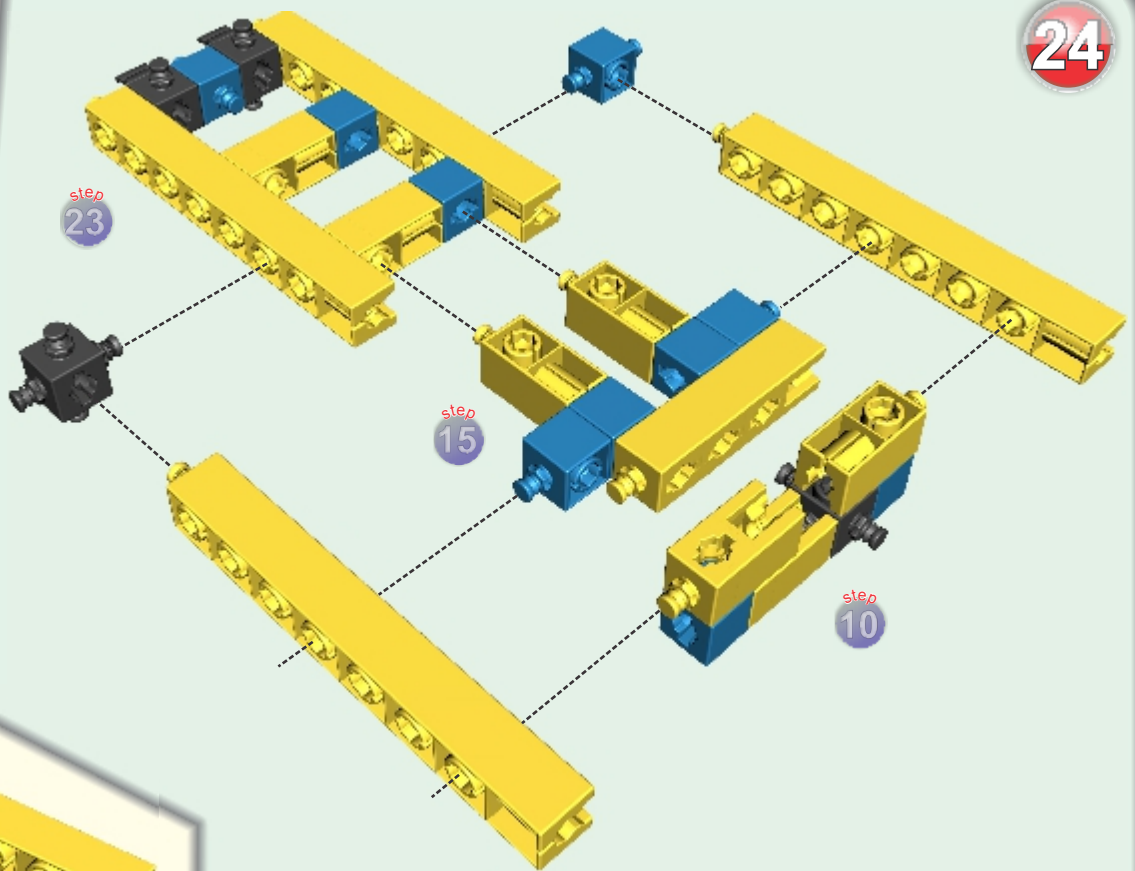
22



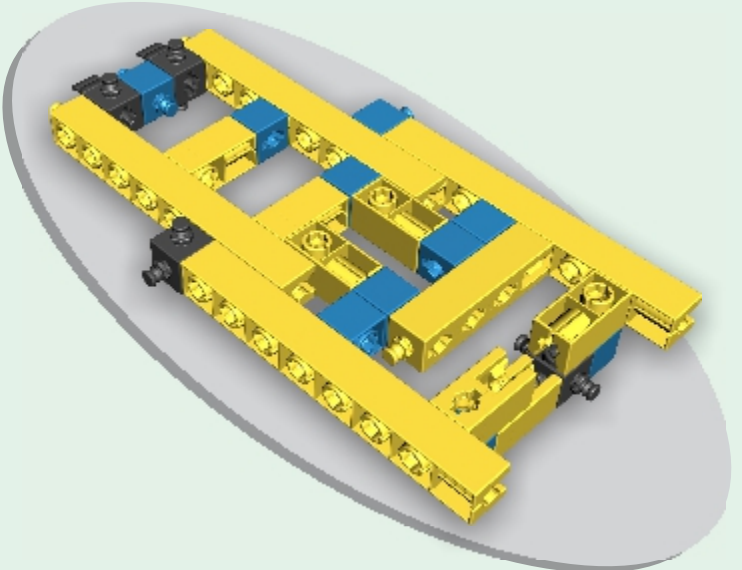
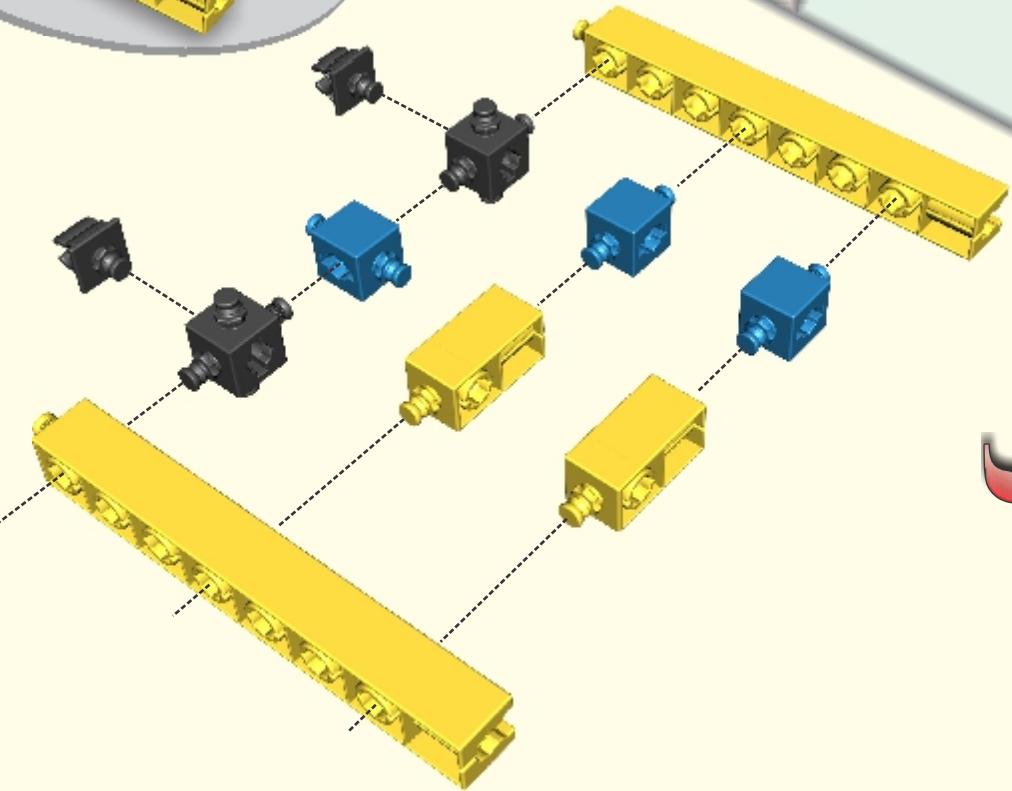
X6



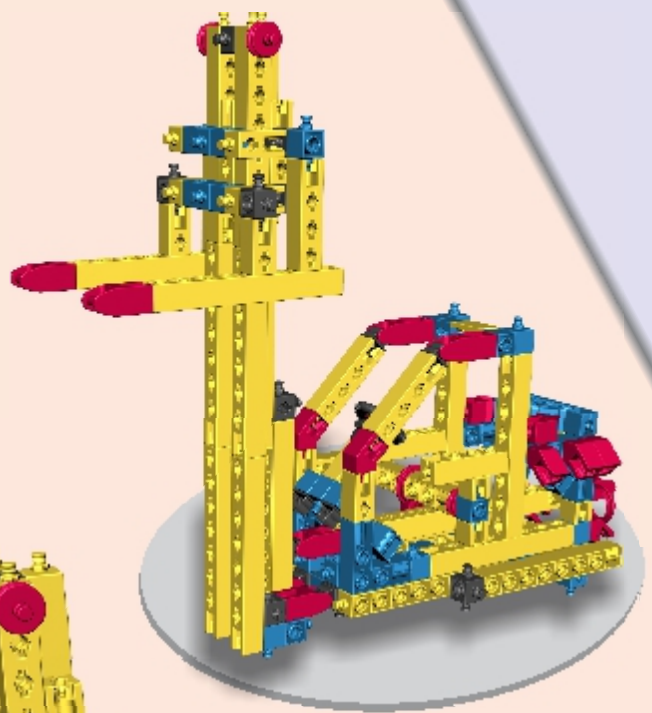
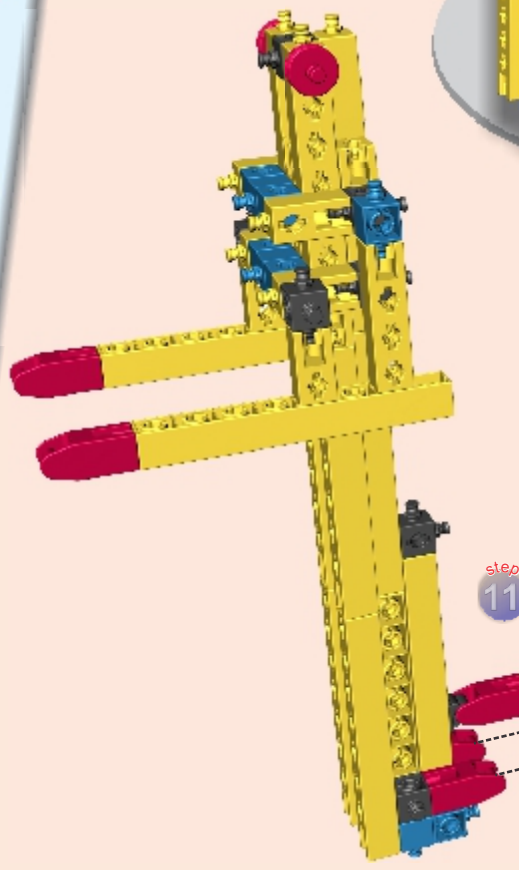
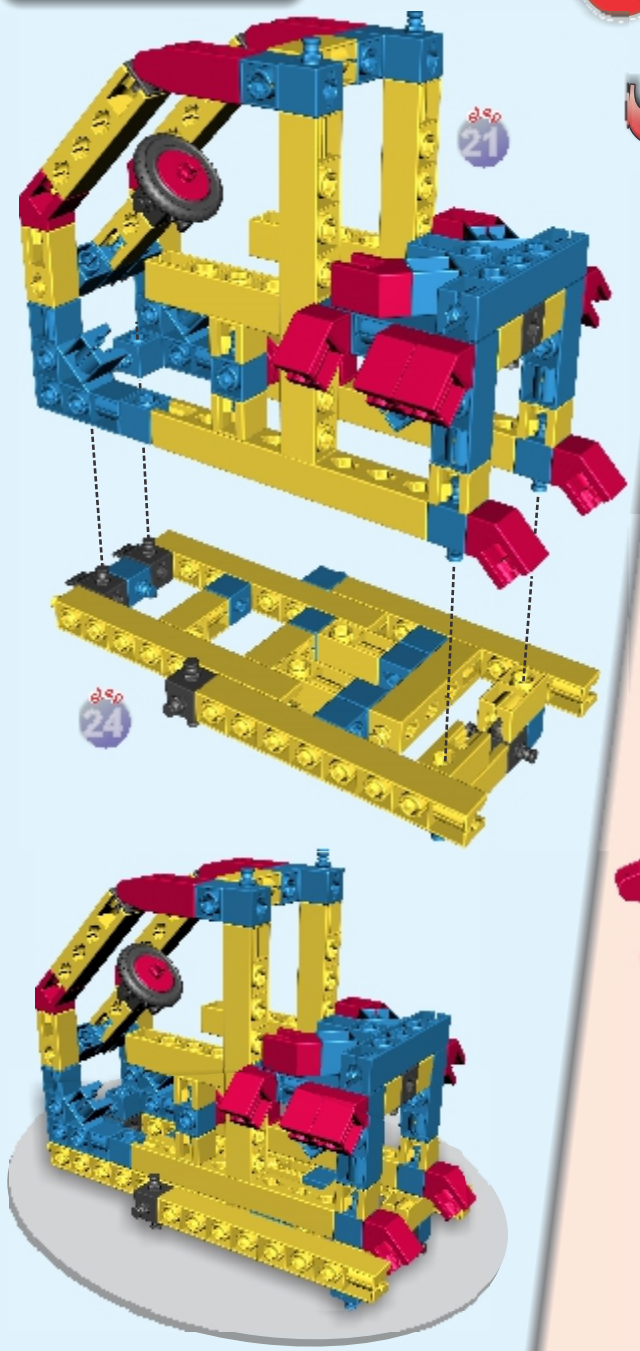
24



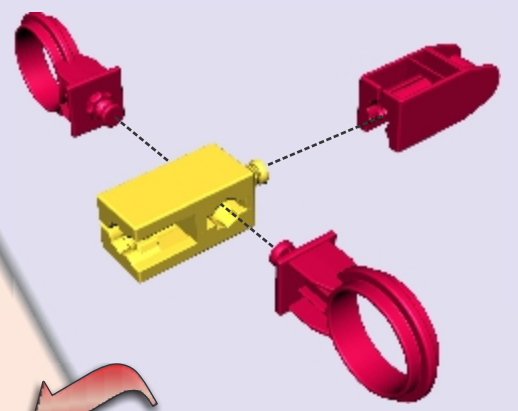
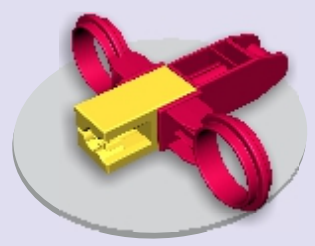
23



25

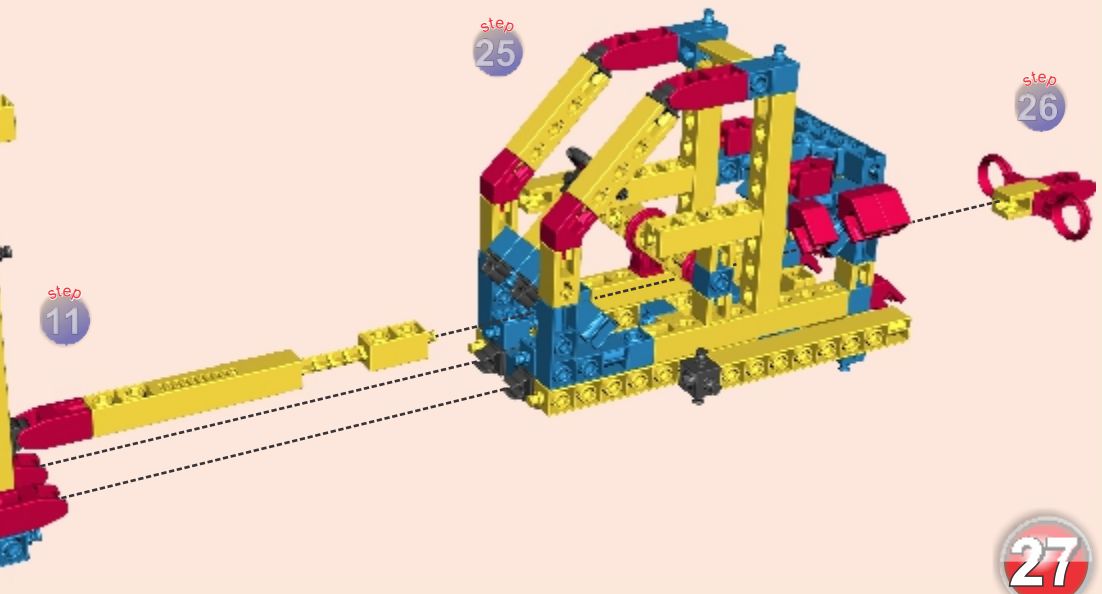


26



step 25

step 26



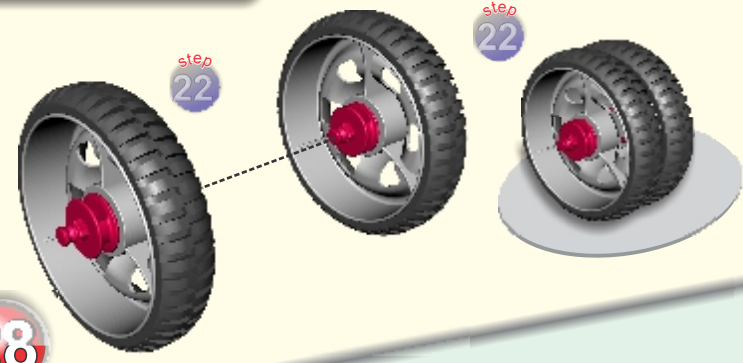
27

X2

28

step 22

step 22



step 29

step 27

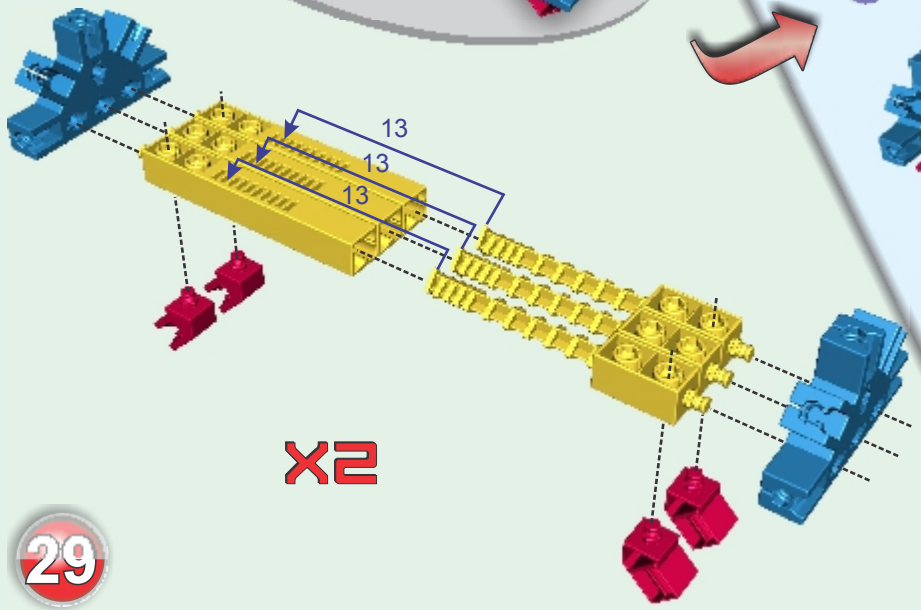
step 22

step 28

step 29

step 28

step 22



X2

29

